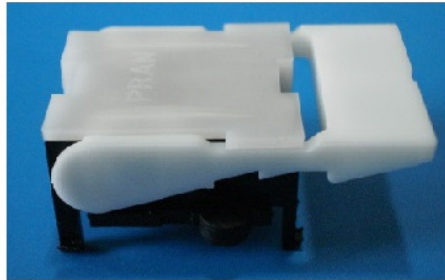


PRAN ELECTRONICS PVT. LTD.

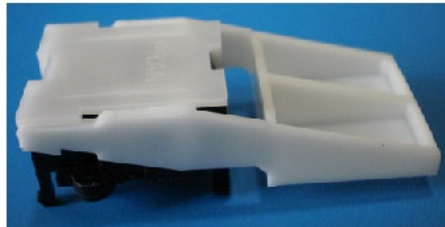
TYPE 50 HOOK SWITCHES

HOOK SWITCHES HAVE UNIVERSAL APPLICATION
IN TELEPHONE INSTRUMENTS.



Flat Lever
Part code: 50-2P1

LOW PROFILE, DOUBLE THROW NON SHORTING
CONTACT CONFIGURATION.



Reverse Lever
Part code: 50-2P2

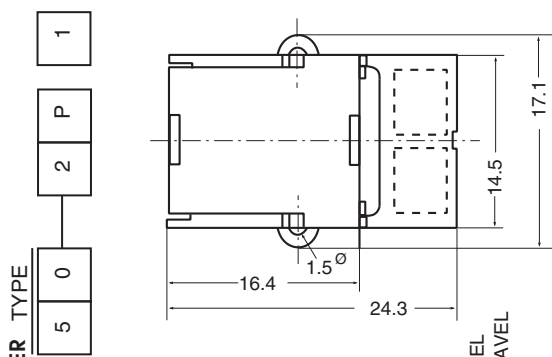
SLIDING CONTACT WITH WIPING ACTION FOR
LONG OPERATING LIFE, SMOOTH AND RELIABLE
ACTUATION.



Knob Lever
Part code: 50-2P3

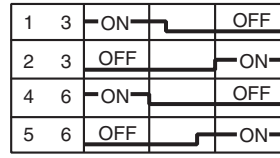
SPECIFICATIONS:

RATING	: MAX. 0.2 A X 48 V DC, RESISTIVE LOAD
CONTACT RESISTANCE	: 50 m Ω MAX. INITIAL, 1 Ω MAX. AFTER LIFE
INSULATION RESISTANCE	: 100 M Ω MIN., 50 V DC
PROOF VOLTAGE	: 500 V AC FOR 1 MIN.
OPERATING FORCE	: 80 gF MAX.
OPERATING LIFE	: 300,000 CYCLES WITH RATED LOAD
RESISTANCE TO SOLDERING HEAT	: MANUAL 270 \pm 10 $^{\circ}$ C - 4 SEC MAX. AUTO 260 \pm 5 $^{\circ}$ C - 6 SEC MAX.

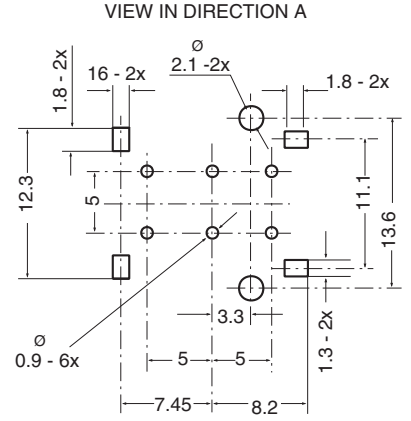
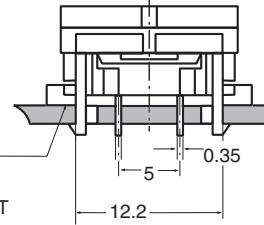
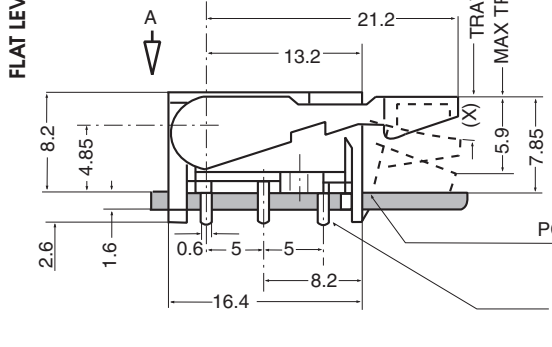


TIME LAG DIAGRAM

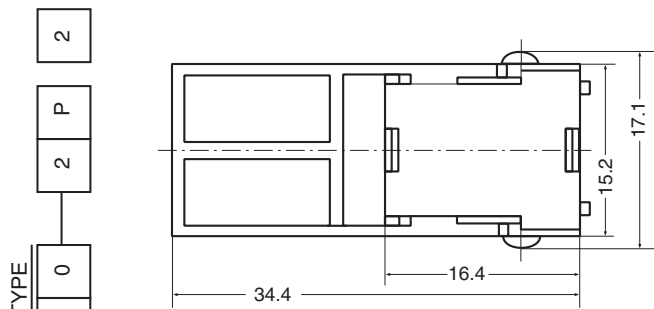
TERMINALS



1.2 MIN 5.2 MAX
TRAVEL (x) mm

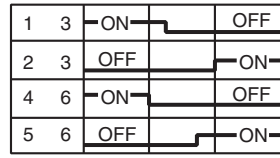


PCB MOUNTING HOLE LAYOUT

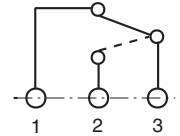
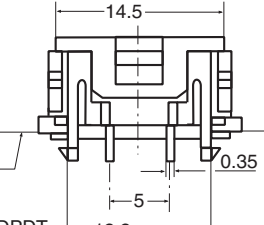
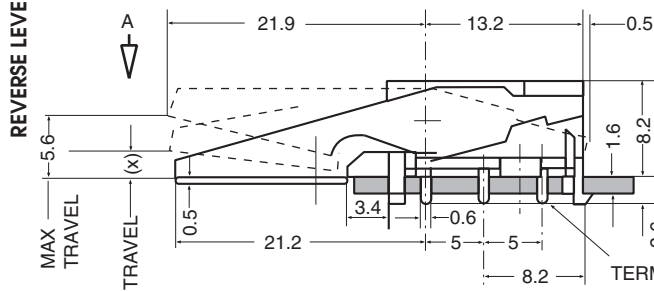


TIME LAG DIAGRAM

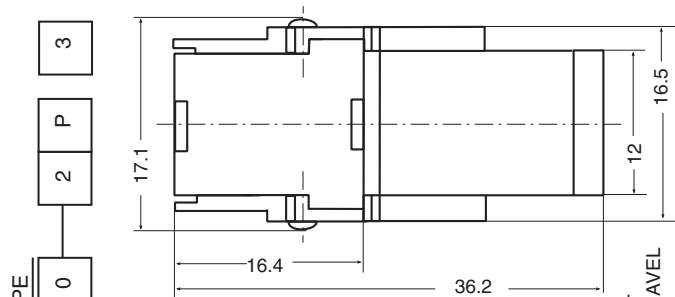
TERMINALS



1.2 MIN 5.2 MAX
TRAVEL (x) mm

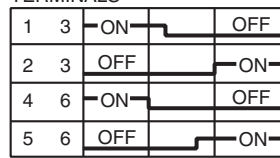


SINGLE POLE CIRCUIT DIAGRAM

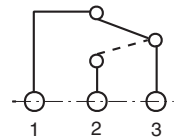
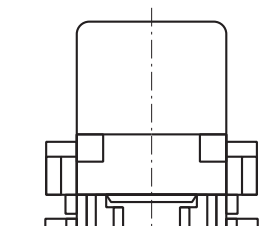
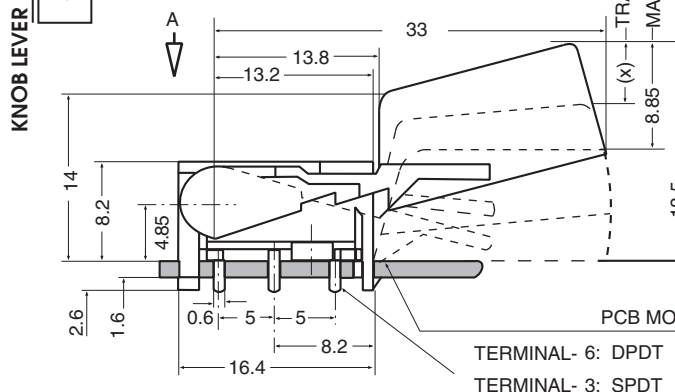


TIME LAG DIAGRAM

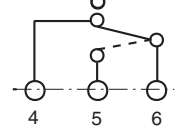
TERMINALS



1.7 MIN 7.5 MAX
TRAVEL (x) mm



DOUBLE POLE CIRCUIT DIAGRAM



■ ALL DIMENSIONS IN mm, TOLERANCE ± 0.2 mm
■ ALL CODES ARE GIVEN IN THE BRACKETS ()